



*mtc's* conductive copper tapes have good electrical and thermal conductivity.

Copper tapes can be cut to any width starting at 6 mm. They are supplied with a conductive adhesive as standard.

Depending on the customer's needs, the tapes are delivered on roll or cut to length. The standard roll length are 33 meters.

Kiss-cut parts and stripes are also possible to order.



### Features

Standard roll length: 33 m

Available in a width range from 6 to 50 mm as standard

Additional width available up to 300 mm on request

Conductive adhesive tape as standard

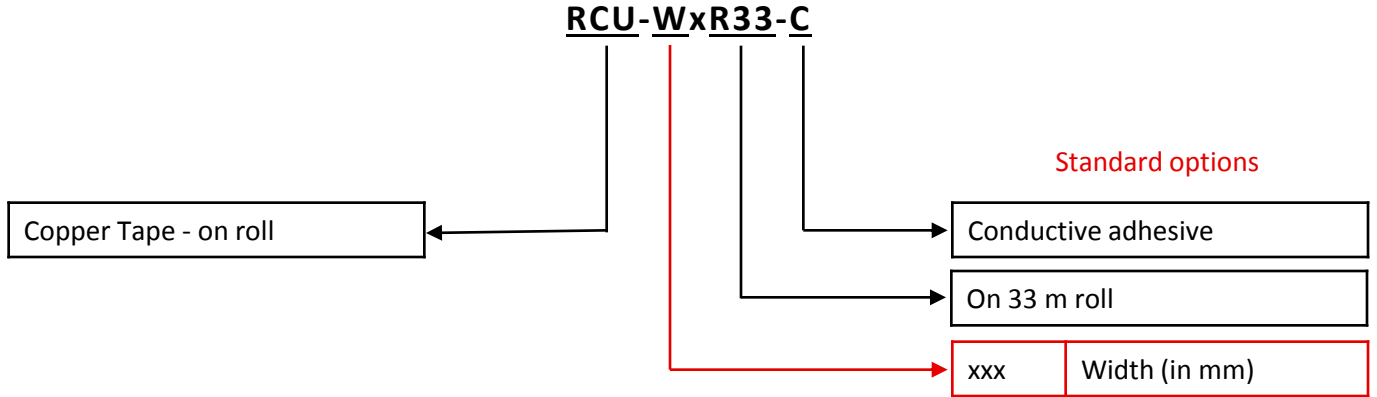
Kiss-cut parts and stripes available on request

Copper tapes are solderable

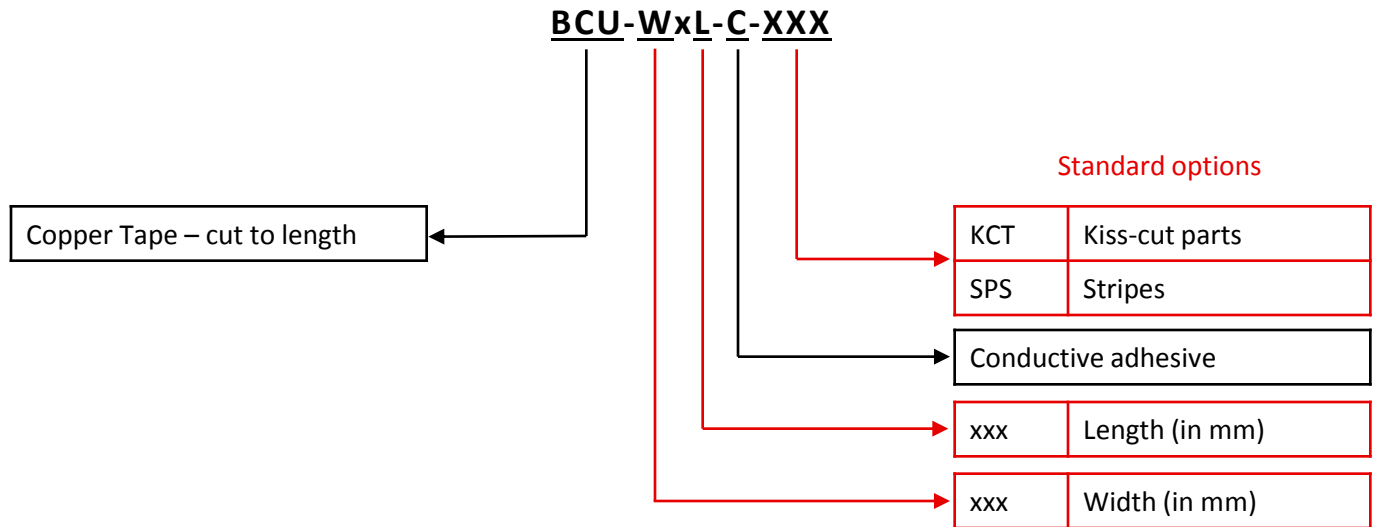
Property		Value	Unit	Tolerance	Test method
Basic material	Copper foil	40	µm	-	-
Adhesive type	Acryl + Nickel powder Electrically conductive	25	µm	-	-
Release liner	Single silicone treated paper	125	µm	-	-
Total thickness	-	65	µm	± 10	ASTM D 3652
Standard width range	-	6 – 50	mm	-	-
Standard roll length	-	33	m		
Adhesive strength	-	9	N/25mm	-	KS T 1028
Surface resistance	-	max. 0,5	Ω/□	-	MIL DTL 83528C
Volume resistance	-	max. 0,1	Ω/□	-	MIL DTL 83528C
Temperature range	-	max. 80	°C	-	-
Shelf life°	-	12	months	-	-

°From date of receipt by the customer when stored at 23°C / 60%rH

**BUILDING AN ITEM NUMBER**



**Example:** RCU-20xR33-C  
 Conductive copper tape - on roll; width: 20 mm; length roll: 33 m; with conductive adhesive



**Example:** BCU-20x30-C-KCT  
 Conductive copper tape – cut to length; width: 20 mm; length: 30 mm; with conductive adhesive; kiss-cut parts

**STANDARD WIDTHS**

- 6 mm
- 10 mm
- 15 mm
- 20 mm
- 25 mm
- 50 mm