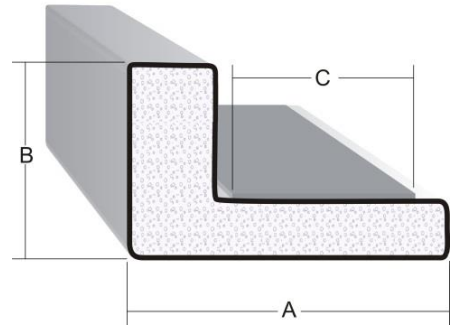


L-shape profiles have a polyurethan foam core which is covered with an aluminium foil. The gaskets are fitted with a non-conductive adhesive tape as standard.

The standard portfolio includes a range of sizes. Customized dimensions can be supplied at low cost. The material can also be cut to the required length or modified to individual needs.

- Excellent shielding effectiveness
- Polyurethan foam core; standard hardness: 45 kg/m³
- Optionally available with adhesive tape with removal aid (WRL)
- Optionally available with multiple parts on carrier sheet (STP)
- Other dimensions on request



PRODUCT SPECIFICATIONS

PROPERTY	VALUE / TOLERANCE	TEST METHOD
Basic material	Polyurethan foam core	-
Coating	Aluminium foil	-
Width (A)	5,6 mm	-
Thickness (B)	3,0 mm	-
Standard length (L)	2.000 mm	-
Hardness value of foam	32, 45, 70, 150 kg/m ³	-
Surface resistance	<0,1 Ω/□	-
Shielding effectiveness	88 – 101 dB @ 100 MHz - 18 GHz	ASTM D-4935-89
Adhesive tape	Non-conductive, conductive	-
Width of adhesive tape (C)	3,0 mm	-
Flammability rating	V-0	UL 94
Temperature range	-25 – 80 °C	-
Storage temperature	20 °C	-
Storage humidity	App. 50% rH; non-condensing	-
Shelf life	1 year	-
Guarantee	6 months	-

BUILDING AN ITEM NUMBER

DLS-WxT AL-XX VO-L-ZZZZ

L-Shape Profile

xx	Width (mm)
----	------------

xx	Thickness (mm)
----	----------------

Aluminium foil

Nxx	Non-conductive adhesive (mm)
-----	------------------------------

Cxx	Conductive aluminium adhesive (mm)
-----	------------------------------------

CTxx	Conductive textile adhesive (mm)
------	----------------------------------

XX	No adhesive tape
----	------------------

Flammability rating

xxxx	Length (mm)
------	-------------

Rxx	On roll (mm)
-----	--------------

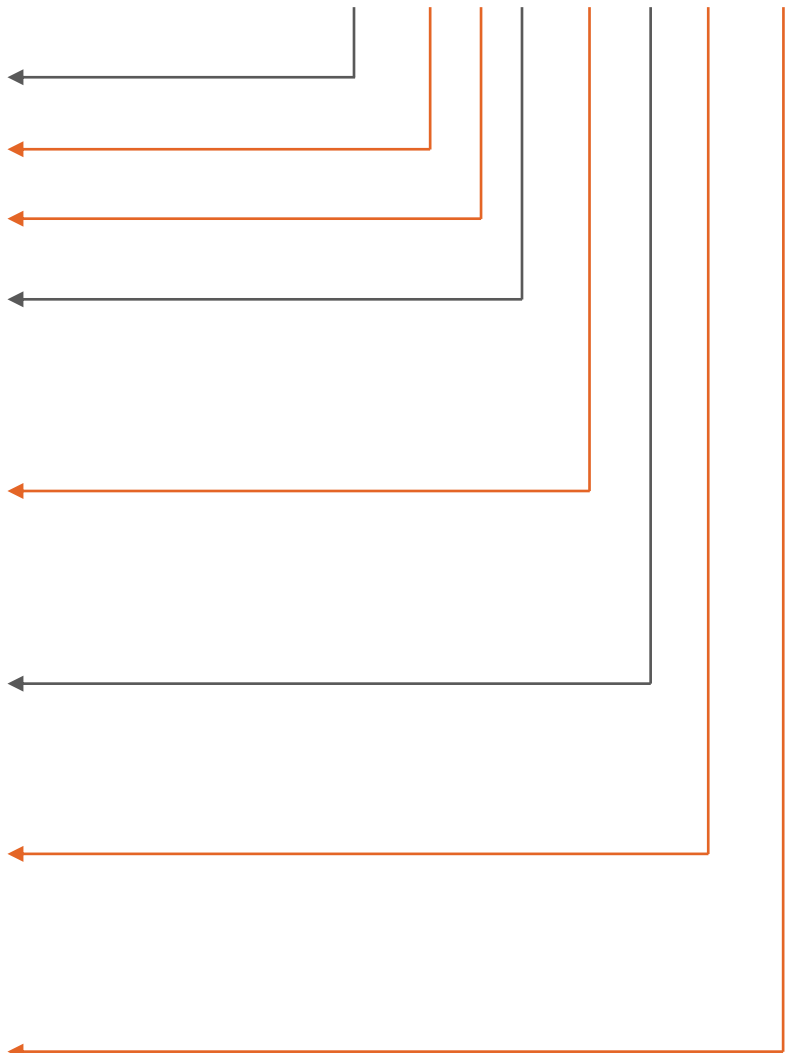
STPxxx	Sheet Type Package (mm)
--------	-------------------------

WRLxxx	Wide Release Liner (mm)
--------	-------------------------

PU32	PU foam 32 kg/m ³
------	------------------------------

PU70	PU foam 70 kg/m ³
------	------------------------------

PU150	PU foam 150 kg/m ³
-------	-------------------------------



Standard options

EXAMPLE

DLS-5,6x3AL-C3V0-2000-PU32

L-shape profile; width: 5,6 mm; thickness: 3,0 mm; aluminium foil; conductive adhesive: 3,0 mm; UL 94 V-0; length: 2000 mm; PU foam 32 kg/m³

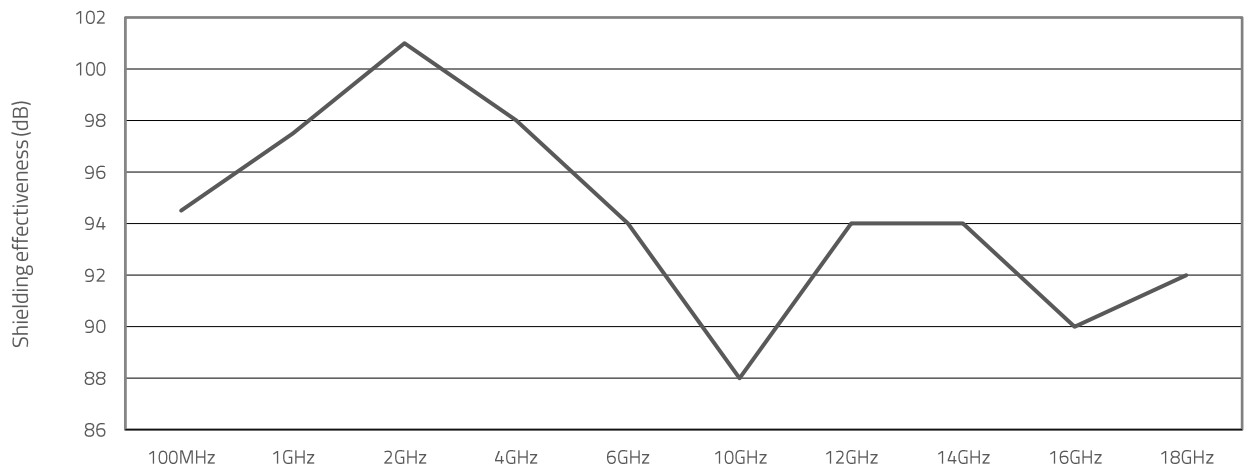
TOLERANCES

WIDTH AND HEIGHT (mm)	TOLERANCE (mm)
0,5 – 6,3	± 0,5
6,4 – 10,0	± 0,7
10,1 – 16,0	± 0,8
16,1 – 25,0	± 1,0
25,1 – 40,0	± 1,3
40,1 – 63,0	± 1,6

LENGTH (mm)	TOLERANCE (mm)
5 – 150	± 0,8
151 – 300	± 1,3
301 – 1.200	± 2,5
1.201 – 1.750	± 4,7
1.751 – 2.300	± 6,4

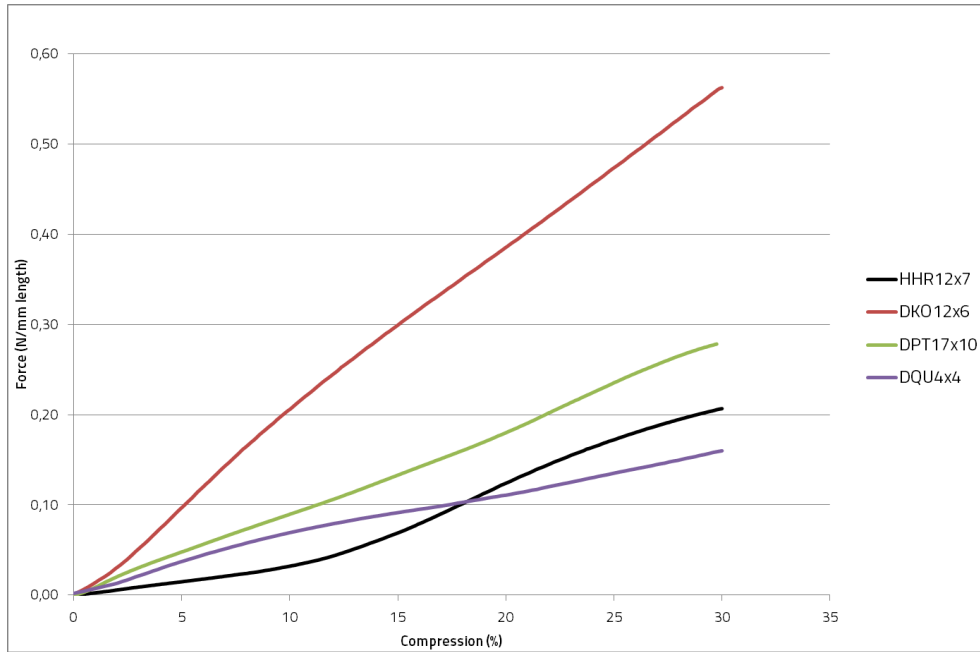
SHIELDING EFFECTIVENESS

Aluminium foil



NOTE | Due to less adhesive power of the conductive adhesive – compared to the non-conductive adhesive – the conductive adhesive is only an assembling aid.

FORCE DEFLECTION DIAGRAM CuNi



NOTE | Deviations may occur due to the very soft material.